



Model 2340

Heavy Duty Switches



Model 2340C



Model 2340D



Model 2340A

AMOT Model 2340 series Temperature and Pressure switches provide a flexible line of controls for all types of industrial applications. The 2340 series is ideal for providing snap switch action at set points on engine and compressor coolants systems, process control points, lubrication systems etc.

The case is of sturdy precision cast aluminum, with improved accessibility to the switch terminals. The temperature units utilize the well known expanding wax element principle; the pressure units are Buna-N rolling diaphragms for dynamic sealing to 350 psi proof pressure. Settings are normally made at the factory although adjustments within specific ranges are easily made. The temperature switches can be fitted with element extensions and stainless steel wells. The following basic arrangements are available:

Type "R" Snap switch furnished as standard.

2340A AMOT Pressure Temperature Switch
1 Step actuation for each function.

2340C AMOT Pressure Switch
1 Step actuation

2340D AMOT Temperature Switch
2-Step actuation 80 to 250 psi

2340E AMOT Dual Temperature Switch
2 Step actuation

HOW TO ORDER

When ordering Model 2340, be sure to specify:

1. Basic arrangement - A, C, D, E
2. Temperature Settings (Rising or Falling)
3. Pressure Setting (Rising or Falling)
4. Extension Number if extension required.
5. Model 3802 Well if well is required.
(Wells not available unless an extension is furnished)
6. Manual lockout button (2340).

SWITCH RATINGS

The A.C. rating shown on Table B are for resistive or inductive loads such as heaters, motors, solenoid, relays, coils, etc. The D.C. ratings are for resistive loads such as heaters. For filaments loads of incandescent lamps, and other loads with a very high inrush current, consult the factory. For D.C. inductive load ratings, consult the factory.

2340 1 1 R 1 A A 01 W V (A-)

Special Requirements (MTO)
 Stamp "V" here if unit calibrated in Well (temp. version only)
 Modification Code - Table H
 Temperature Element Extension Code - Table G
 Conduit Thread Code - Table F
 Thread and Finish Code E
 Temperature Range Code - Table D
 Switch Type - Table C
 Seal Material Code - Table B
 Pressure Range Code - Table A

Basic Models
 2340A Single Press.
 (Press. Ranges 1-3)
 2340D Single Temp.
 2340E Dual Temp.

Table A Pressure Range Code	
Code	Pressure Range
1	5 - 25 psi
2	15 - 75 psi
3	45 - 125 psi
0	Non- Pressure Version

Table B Seal Material Code	
Code	Material
1	Buna N

Table C Switch Type	
R	
A.C.	
15A @ 125V	
15A @ 250V	
15A @ 480V	

Table D Temperature Range Code		
Code	Pressure Range °F	Temp Range °F
Without Well		
With Well		
2	096 - 130	106 - 140
3	131 - 160	141 - 170
4	161 - 180	171 - 190
5	181 - 210	191 - 220
6	215 - 225	225 - 235
7	226 - 245	236 - 255
0	Non- Temperature Version	

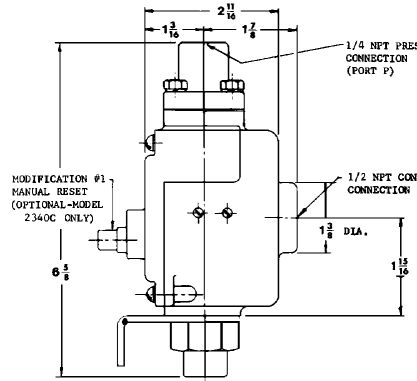
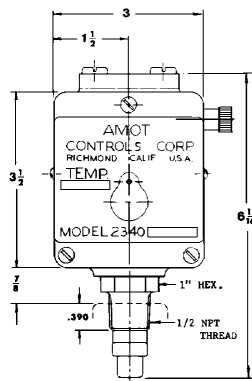
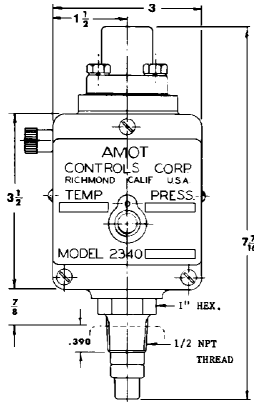
Table E Thread and Finish Code		
Code	Thread	Finish
A	NPT	Standard

Table F Conduit Thread Code	
Code	Thread
A	NPT

Table G Temperature Element Extensions Code	
Code	Installed depth (inches)
00	1 3/8
01	2 1/4
99	Non Temperature Version

Table H Modification Code	
Code	Description
W	Without Modifications
A	Manual Lockout Button (Model 2340C)

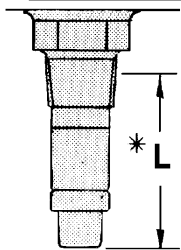
2340



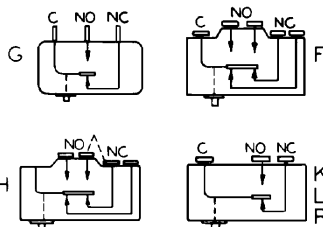
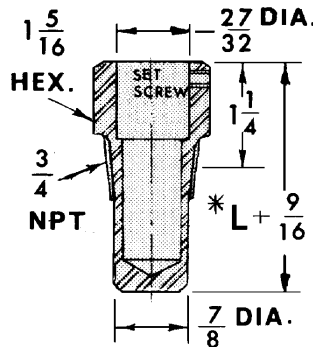
MODEL 3802
 ST. ST. WELL

SNAP SWITCHES

EXTENSIONS



EXTENSION NO.	INSTALLED DEPTH
0	1-3/8
1	2-1/4
2	2-1/2
3	3-
4	3-1/2
5	4-
6	4-1/2
7	5-



The same extensions & wells are used with 2340 switches are available for 4050's.

All Dimensions in inches.

AMOT USA

401 First Street
 Richmond, CA 94801
 Tel: +1 510 236-8300
 Fax: +1 510 234-9950

AMOT

Western Way
 Bury St. Edmunds IP33 3SZ
 Suffolk England
 Tel: +44 1284 762222
 Fax: +44 1284 760256

AMOT SINGAPORE

10 Eunos Road 8 # 12-06
 Singapore Post Centre
 Singapore 408600
 Tel: +65 6293 4320
 Fax: +65 6293 3307